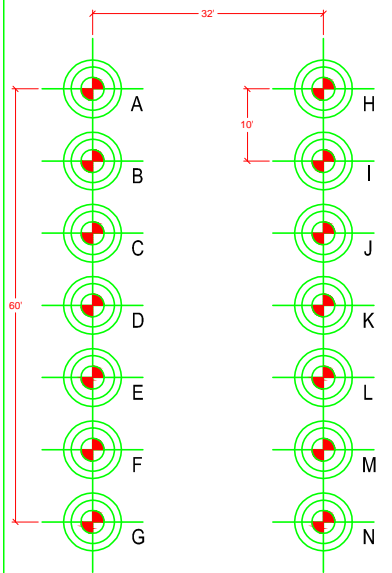


MINIMUM AREA CLEARANCE

NOTE
Required clearance to the South increases with number of wells drilled



THIS DRAWING IS OWNED BY AND CONTAINS PROPRIETARY INFORMATION OF CACTUS DRILLING COMPANY, L.L.C. IT IS CONDITIONALLY LOANED AND IS TO BE RETURNED UPON COMPLETION OF WORK OR UPON EARLIER REQUEST. THE BORROWER BY RECEIVING IT HAS AGREED NOT TO REPRODUCE NOR TO COPY IT IN WHOLE OR IN PART NOR TO FURNISH INFORMATION FROM IT TO OTHERS NOR TO MAKE ANY USE OF IT OR THE INFORMATION CONTAINED THEREIN EXCEPT FOR OR UNDER SPECIFIC LICENSE FROM CACTUS DRILLING COMPANY, L.L.C.

TOLERANCE UNLESS OTHERWISE SPECIFIED DIMENSIONS IN INCHES		CUSTOMER INFO:	
DECIMAL	DIMENSION	FILE:	R-166_DS.dwg
CONCENTRICITY		DWG BY:	J.D.B. 02/06/20
X.X	±.1	CHK BY:	
X.XX	±.06	APP BY:	
X.XXX	±.010		
ANGLES	±.5 DEGREES		
SYM	DATE	REVISION	BY
			ACAD FILE: CAC166-A-001-00-RO
		SCALE:	NTS

CACTUS Drilling Co., L.L.C.
Oklahoma City, OK, U.S.A.
Tel: 405-577-5347 Fax: 405-577-9306

TITLE:
**RIG 166
DRILL SITE**

SIZE: A SHEET: 1/1
CAC166-A001