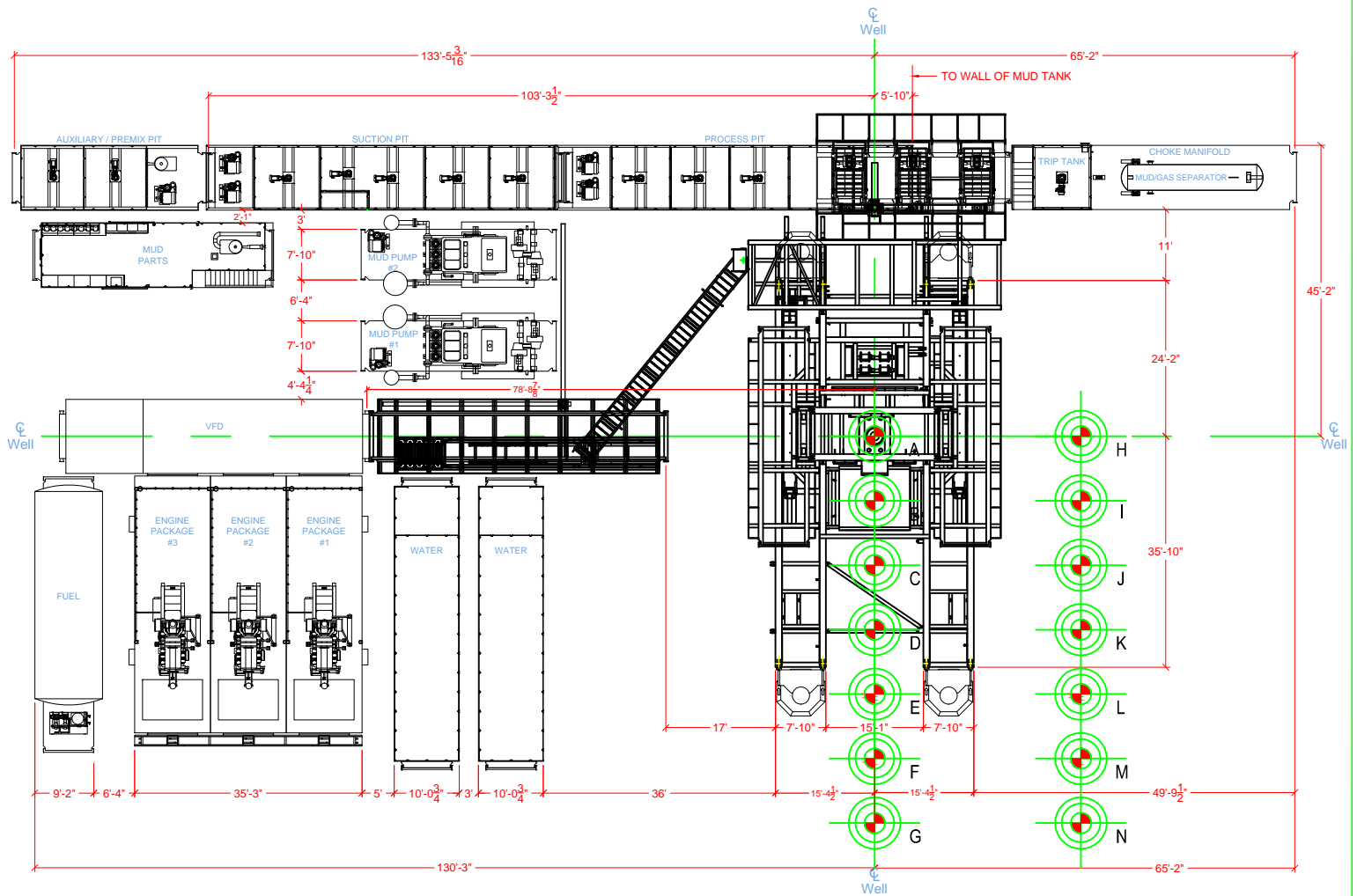
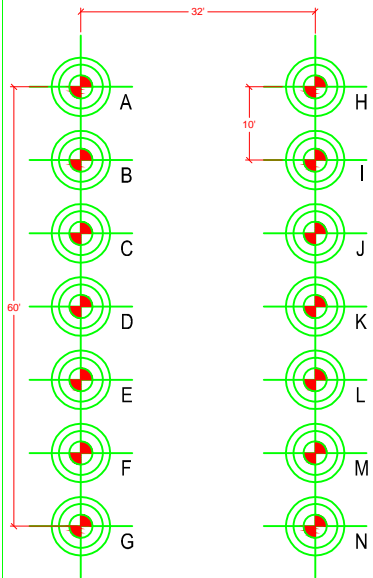


MINIMUM AREA CLEARANCE

NOTE
Required clearance to the South increases with number of wells drilled



THIS DRAWING IS OWNED BY AND CONTAINS PROPRIETARY INFORMATION OF CACTUS DRILLING COMPANY, L.L.C. IT IS CONDITIONALLY LOANED AND IS TO BE RETURNED UPON COMPLETION OF WORK OR UPON EARLIER REQUEST. THE BORROWER BY RECEIVING IT HAS AGREED NOT TO REPRODUCE NOR TO COPY IT IN WHOLE OR IN PART NOR TO FURNISH INFORMATION FROM IT TO OTHERS NOR TO MAKE ANY USE OF IT OR THE INFORMATION CONTAINED THEREIN EXCEPT FOR OR UNDER SPECIFIC LICENSE FROM CACTUS DRILLING COMPANY, L.L.C.

		TOLERANCE UNLESS OTHERWISE SPECIFIED DIMENSIONS IN INCHES		CUSTOMER INFO:	
		DECIMAL DIMENSION CONCENTRICITY		FILE: R-162_DS_New.dwg	
		.1 F.I.R.		DWG BY: J.D.B. 10/10/18	
		.06 F.I.R.		CHK BY:	
		.010 F.I.R.		APP BY:	
		ANGLES ± 5 DEGREES		SCALE: NTS	
SYM	DATE	REVISION	BY	ACAD FILE: CAC162-A-001-00-RO	

Drilling Co., L.L.C. Oklahoma City, OK, U.S.A. Tel: 405-577-5347 Fax: 405-577-9306	
TITLE: RIG 162 DRILL SITE	
SIZE A	CAC162-A001
SHEET 1/1	