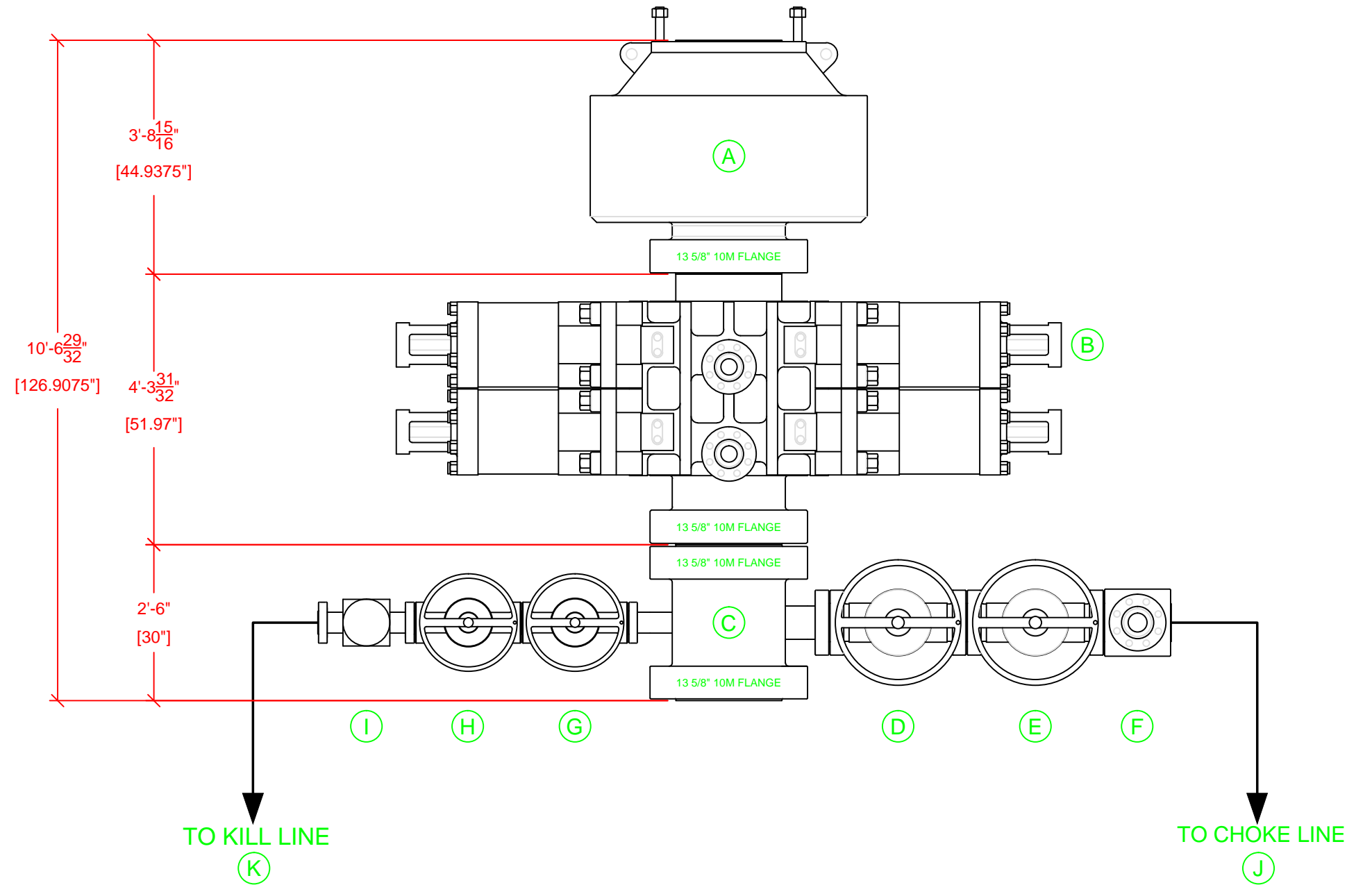


BOPE INFORMATION

ITEM	DESCRIPTION	MAKE	MODEL
A	ANNULAR BOP	SHAFFER	13 5/8" 5M SPHERICAL
B	DOUBLE RAM BOP	CAMERON	13 5/8" 10M TYPE U
C	MUD CROSS	SHOP BUILT	13 5/8" 10M
D	WING VALVE	CAMERON	4 1/2" 10M FLS MANUAL
E	HCR VALVE	CAMERON	4 1/2" 10M HCR
F	CHOKE BLOCK	CAMERON	4 1/2" 10M
G	KILL VALVE	CAMERON	2 1/2" 10M FLS MANUAL
H	KILL VALVE	CAMERON	2 1/2" 10M FLS MANUAL
I	CHECK VALVE	CAMERON	2 1/2" 10M "R" CHECK
J	CHOKE LINE	MIDWEST HOSE	4 1/2" ID 10M ARMOR-COVERED
K	KILL LINE	MIDWEST HOSE	2 1/2" ID 5M ARMOR-COVERED
L			



THIS DRAWING IS OWNED BY AND CONTAINS PROPRIETARY INFORMATION OF CACTUS DRILLING COMPANY, L.L.C. IT IS CONDITIONALLY LOANED AND IS TO BE RETURNED UPON COMPLETION OF WORK OR UPON EARLIER REQUEST. THE BORROWER BY RECEIVING IT HAS AGREED NOT TO REPRODUCE NOR TO COPY IT IN WHOLE OR IN PART NOR TO FURNISH INFORMATION FROM IT TO OTHERS NOR TO MAKE ANY USE OF IT OR THE INFORMATION CONTAINED THEREIN EXCEPT FOR OR UNDER SPECIFIC LICENSE FROM CACTUS DRILLING COMPANY, L.L.C.

CACTUS Drilling Co., L.L.C.
Oklahoma City, OK, U.S.A.

Tel: 405-577-5347 Fax: 405-577-9306

TOLERANCE UNLESS OTHERWISE SPECIFIED DIMENSIONS IN INCHES		CUSTOMER INFO:	
DECIMAL	DIMENSION	FILE:	I:RIG DRAWINGS & DIAGRAMS\R-145\R-145 (CAD)\R-145_BOP
CONCENTRICITY		DWG BY:	J.D.B.
X.X	±.1	CHK BY:	
X.XX	±.06	APP BY:	
X.XXX	±.010	SCALE:	N/A
ANGLES	±.5 DEGREES		
SYMBOL	DATE	REVISION	BY
			ACAD FILE: CAC145-A-005-00-RO

TITLE:	RIG 145 BOP STACK-UP
SIZE	B
SHEET	CAC145-A005
	1/1